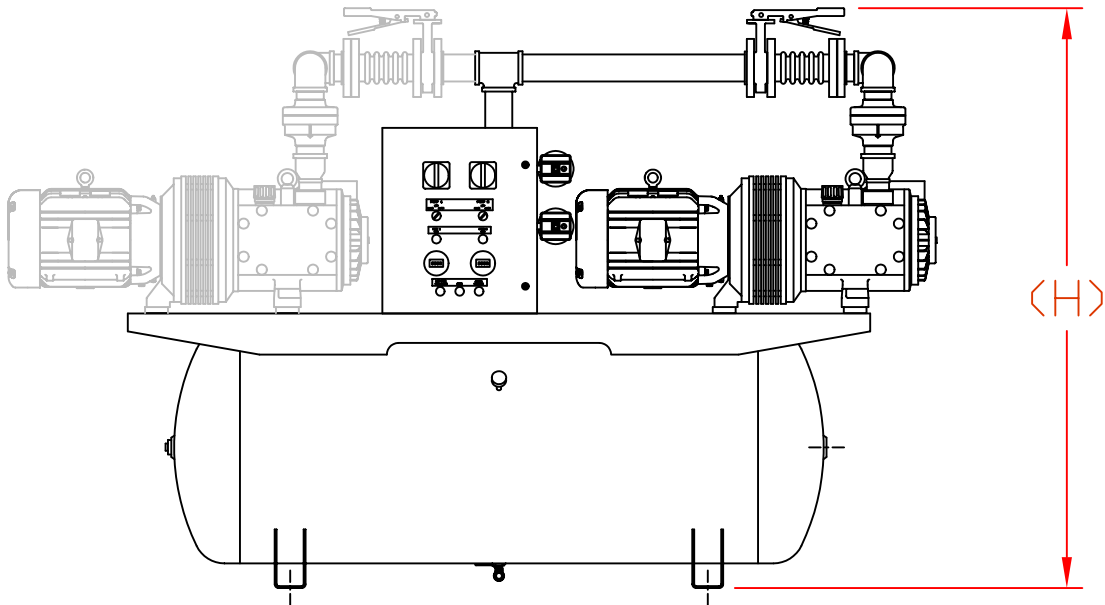


NOTES:

1. RIETSCHLE MACRO, DRY, ROTARY VANE VACUUM PUMPS ARE DESIGNED FOR CONTINUOUS OPERATION. REFER TO DATA SHEETS DA 280, DA 250 OR DA 267/1 FOR DIMENSIONS AND PERFORMANCE CHARACTERISTICS.
2. THE SYSTEM IS PRE-WIRED AND PRE-PIPED FOR SINGLE POINT ELECTRICAL AND VACUUM CONNECTIONS.
3. ALL DIMENSIONS ARE TYPICAL AND SUBJECT TO CHANGE WITHOUT NOTICE. CONTACT THE FACTORY TO CONFIRM CRITICAL DIMENSIONS.
4. WHEN INSTALLING THE SYSTEM, ALLOW ADEQUATE CLEARANCE FOR SERVICE ACCESS.



Model	Motor HP, each unit	Rcvr Vol gallons	L inches	W inches	H inches
Tank Mounted Simplex					
VTTS-015	1	80	64	24	50
VTTS-025	1.5	80	64	24	50
VTTS-040	2.5	120	71	27	54
VTTS-060	3	120	74	27	54
VTTS-080	5	120	84	27	54
VTTS-100	5	120	84	27	54
VTTS-140	7.5	240	90	31	60
VTTS-180	7.5	240	90	31	60
VTTS-250	10	240	114	31	65

Model	Motor HP, each unit	Rcvr Vol gallons	L inches	W inches	H inches
Tank Mounted Duplex					
VTTD-015	1	80	70	24	50
VTTD-025	1.5	80	70	24	50
VTTD-040	2.5	120	77	27	54
VTTD-060	3	120	80	27	54
VTTD-080	5	120	90	27	54
VTTD-100	5	120	90	27	54
VTTD-140	7.5	240	96	31	60
VTTD-180	7.5	240	96	31	60
VTTD-250	10	240	120	31	65

PICO - DRUVAC - MACRO