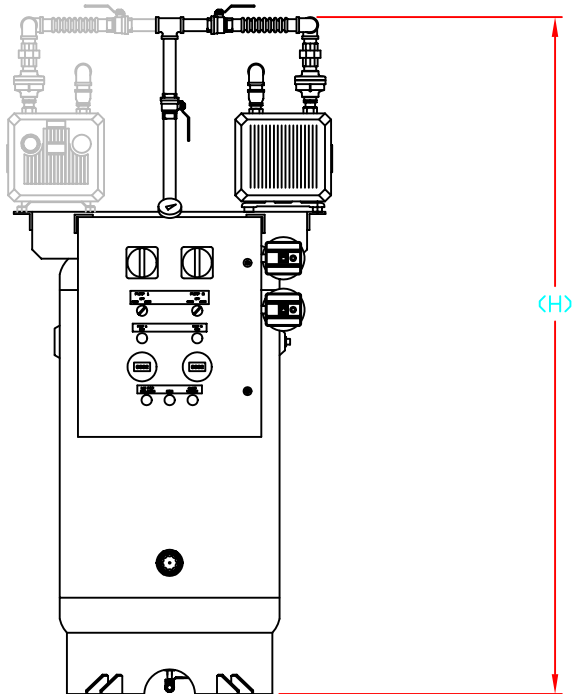


**NOTES:**

1. RIETSCHLE MACRO, DRY, ROTARY VANE VACUUM PUMPS ARE DESIGNED FOR CONTINUOUS OPERATION. REFER TO DATA SHEETS DA 280, DA 250 OR DA 267/1 FOR DIMENSIONS AND PERFORMANCE CHARACTERISTICS.
2. THE SYSTEM IS PRE-WIRED AND PRE-PIPED FOR SINGLE POINT ELECTRICAL AND VACUUM CONNECTIONS.
3. ALL DIMENSIONS ARE TYPICAL AND SUBJECT TO CHANGE WITHOUT NOTICE. CONTACT THE FACTORY TO CONFIRM CRITICAL DIMENSIONS.
4. WHEN INSTALLING THE SYSTEM, ALLOW ADEQUATE CLEARANCE FOR SERVICE ACCESS.



Model	Motor HP, each unit	Rcvr Vol gallons	L inches	W inches	H inches
<b>Tank Mounted Simplex</b>					
VTTS-015	1	80	35	31	75
VTTS-025	1.5	80	35	31	75
VTTS-040	2.5	120	35	33	75
VTTS-060	3	120	35	33	75
VTTS-080	5	120	45	41	77
VTTS-100	5	120	45	41	77

Model	Motor HP, each unit	Rcvr Vol gallons	L inches	W inches	H inches
<b>Tank Mounted Duplex</b>					
VTTD-015	1	80	35	33	75
VTTD-025	1.5	80	35	33	75
VTTD-040	2.5	120	35	35	75
VTTD-060	3	120	35	35	75
VTTD-080	5	120	48	43	77
VTTD-100	5	120	48	43	77

**PICO - DRUVAC - MACRO**