

# ROOTS

Blowers Compressors Exhausters

## ROOTS™ Universal RAI® DSL Dual Splash Lubricated Rotary Positive Displacement Blowers

Frames 32 thru 615

### BASIC BLOWER DESCRIPTION

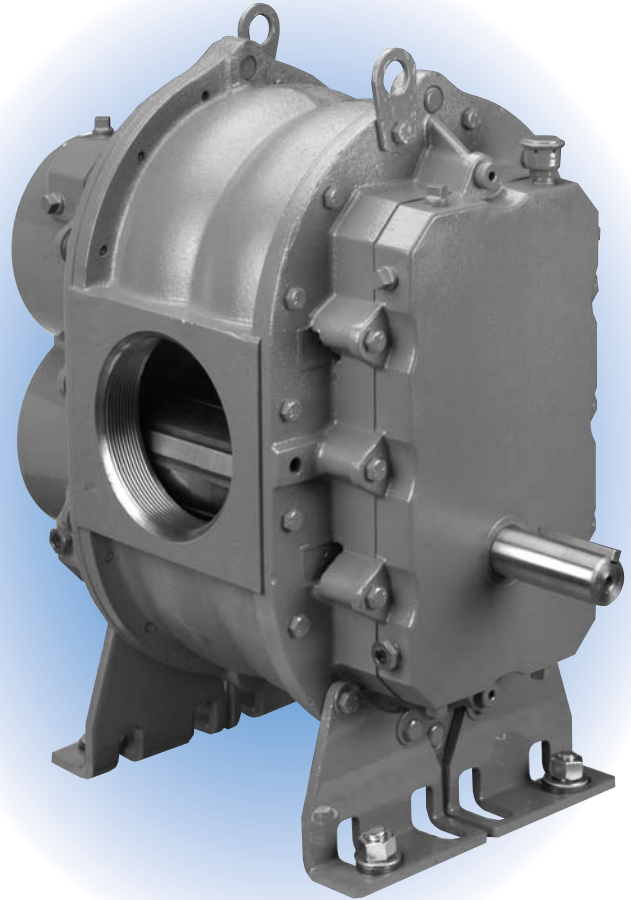
Universal RAI® DSL (Dual Splash Lubricated) blowers are heavy-duty rotary blowers designed with detachable, rugged steel mounting feet that permit easy in-field adaptability to vertical or horizontal installation requirements. Because of the detachable mounting feet, these units can be easily adapted to any of four drive shaft positions: right, left, bottom, or top. The compact, sturdy design is engineered for continuous service when operated in accordance with speed and pressure ratings.

This model consists of a cast iron casing, carburized and ground alloy steel spur timing gears secured to steel shafts with a taper mounting and locknut, and cast iron involute impellers. Oversized antifriction bearings are used, with a cylindrical roller bearing at the drive shaft to withstand V-belt pull.

The Universal RAI DSL (URAI DSL) blower features splash oil lubrication on both the gear end AND drive end. The drive end has two shaft-mounted oil slingers and the gear end has ROOTS' exclusive "figure-eight" gearbox design that improves oil distribution to maximize gear and bearing life. Sight glasses (3/8") are provided for accurate oil level confirmation. After testing, the unit is sprayed with a protective paint, and boxed or skid mounted for delivery. Available accessories include driver, relief valve, inlet and discharge silencers, inlet filter, check valve, extended base, v-belt or flexible coupling and drive guards.

### STRONGEST WARRANTY IN THE INDUSTRY

ROOTS™ URAI DSL blowers are warranted for two years plus an additional 6 months for shipping and construction where required. ROOTS synthetic oil assures top performance and warranty acceptance for lubricants.



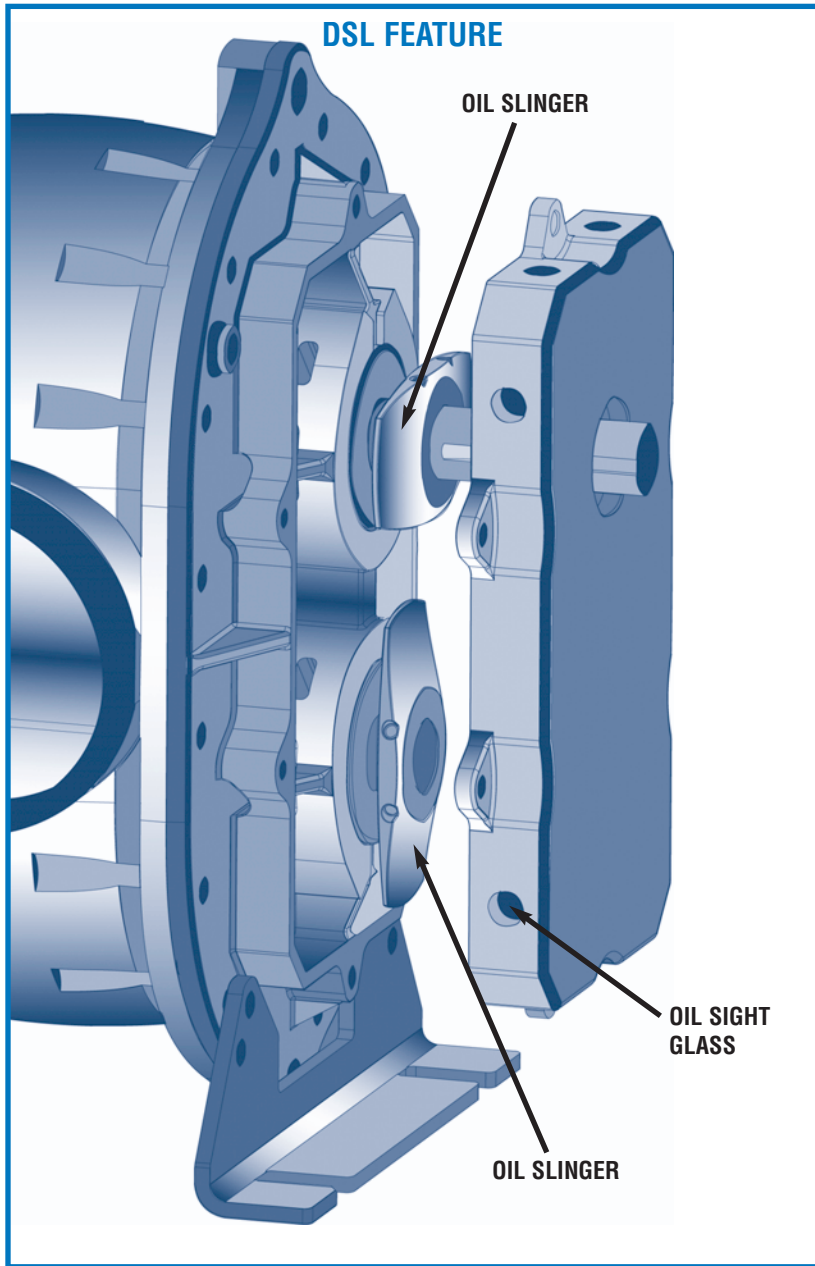
### DESIGN AND CONSTRUCTION FEATURES

- Steel detachable mounting feet
- Rigid one-piece cast iron casing
- Anti-friction bearings
- Splash oil lubricated spur timing gears
- Splash oil lubricated drive end bearings
- Connections in standard pipe sizes
- Balanced, precision machined bi-lobe impellers
- Ground steel shafts



Roots

S-27S03 rev.0807



Steel detachable mounting feet allow for adaptation to any of four drive positions: right, left, bottom or top.



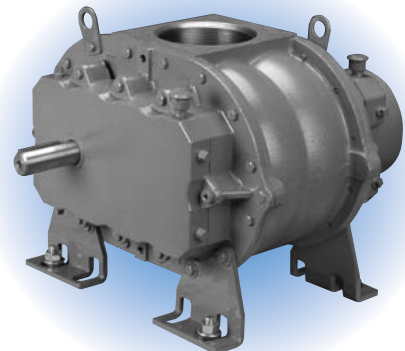
Vertical, Drive End



Vertical, Gear End

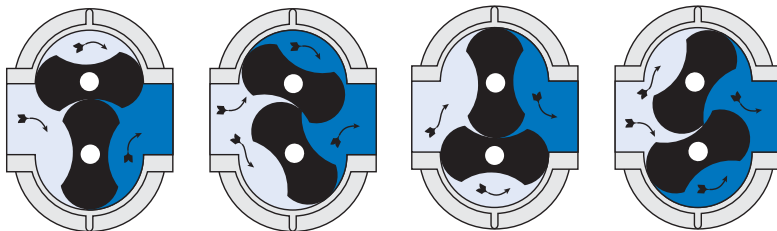


Horizontal, Gear End



Horizontal, Drive End

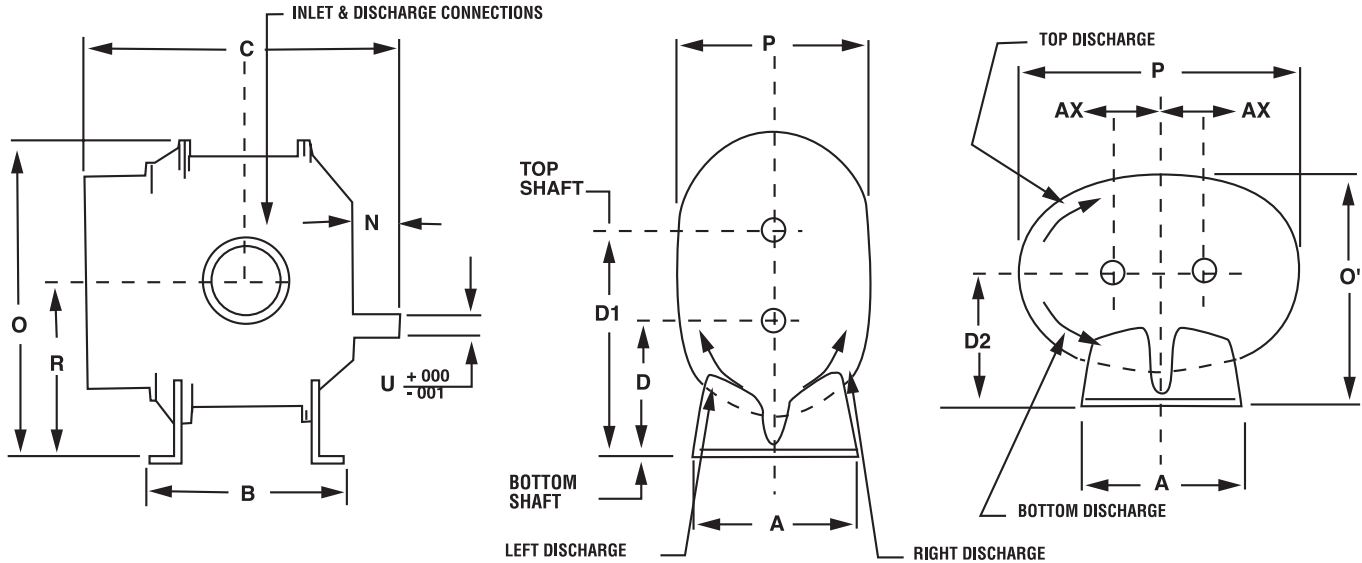
**BI-LOBE OPERATING PRINCIPLE**



Two figure-eight lobe impellers mounted on parallel shafts rotate in opposite directions. As each impeller passes the blower inlet, it traps a finite volume of air and carries it around the case to the blower outlet, where the air is discharged. With constant speed operation, the displaced volume is essentially the same regardless of pressure, temperature or barometric pressure. Timing gears control the relative position of the impellers to each other and maintain small but finite clearances. This allows operation without lubrication being required inside the lobe cavity.



# OUTLINE DRAWING & DIMENSIONS



**VERTICAL CONFIGURATION**

**HORIZONTAL CONFIGURATION**

**Universal RAI® DSL Blower Dimensions**

| Frame Size | A      | B     | C     | Drive Shaft Location |       |      | N    | O     | O'    | P     | P'    | R     | U     | Keyway      | Inlet & Disch. Dia. | AX   | Approx. Net Wt. (lbs.) |
|------------|--------|-------|-------|----------------------|-------|------|------|-------|-------|-------|-------|-------|-------|-------------|---------------------|------|------------------------|
|            |        |       |       | D                    | D1    | D2   |      |       |       |       |       |       |       |             |                     |      |                        |
| 32         | 7.25   | 6.75  | 11.25 | 5.00                 | 8.50  | 5.00 | 2.44 | 12.81 | 8.88  | 7.75  | 12.13 | 6.75  | .750  | .188 x .094 | 1.25 NPT            | 1.75 | 69                     |
| 33         | 7.25   | 7.63  | 12.13 | 5.00                 | 8.50  | 5.00 | 2.44 | 12.81 | 8.88  | 7.75  | 12.13 | 6.75  | .750  | .188 x .094 | 2.0 NPT             | 1.75 | 74                     |
| 36         | 7.25   | 10.00 | 14.63 | 5.00                 | 8.50  | 5.00 | 2.56 | 12.81 | 8.88  | 7.75  | 12.13 | 6.75  | .750  | .188 x .094 | 2.5 NPT             | 1.75 | 102                    |
| 42         | 8.00   | 7.25  | 13.00 | 6.25                 | 10.25 | 6.25 | 3.18 | 15.06 | 10.63 | 8.75  | 13.63 | 8.25  | .875  | .188 x .094 | 1.5 NPT             | 2.00 | 88                     |
| 45         | 8.00   | 10.00 | 15.50 | 6.25                 | 10.25 | 6.25 | 2.94 | 15.06 | 10.63 | 8.75  | 13.63 | 8.25  | .875  | .188 x .094 | 2.5 NPT             | 2.00 | 109                    |
| 47         | 8.00   | 11.75 | 17.63 | 6.25                 | 10.25 | 6.25 | 3.31 | 15.06 | 10.50 | 8.50  | 13.63 | 8.25  | .875  | .188 x .094 | 3.0 NPT             | 2.00 | 128                    |
| 53         | 10.50  | 8.38  | 15.38 | 6.25                 | 11.25 | 6.75 | 3.68 | 17.38 | 11.88 | 10.25 | 17.25 | 8.75  | 1.125 | .250 x .125 | 2.5 NPT             | 2.50 | 143                    |
| 56         | 10.50  | 11.00 | 18.00 | 6.25                 | 11.25 | 6.75 | 3.38 | 17.38 | 12.25 | 11.00 | 17.25 | 8.75  | 1.125 | .250 x .125 | 4.0 NPT             | 2.50 | 170                    |
| 59         | 10.50  | 14.00 | 21.18 | 6.25                 | 11.25 | 6.75 | 3.88 | 17.38 | 12.25 | 11.00 | 17.25 | 8.75  | 1.125 | .250 x .125 | 4.0 NPT             | 2.50 | 204                    |
| 65         | 11.00* | 10.00 | 18.38 | 8.75                 | 14.75 | 8.75 | 3.56 | 21.63 | 15.13 | 12.75 | 19.75 | 11.75 | 1.375 | .312 x .156 | 3.0 NPT             | 3.00 | 245                    |
| 68         | 11.00* | 13.00 | 21.38 | 8.75                 | 14.75 | 8.75 | 3.69 | 21.63 | 15.13 | 12.75 | 19.75 | 11.75 | 1.375 | .312 x .156 | 5.0 NPT             | 3.00 | 285                    |
| 615        | 11.00* | 20.00 | 28.38 | 8.75                 | 14.75 | 8.75 | 3.69 | 21.63 | 16.25 | 15.00 | 19.75 | 11.75 | 1.375 | .312 x .156 | 6.0 FLG             | 3.00 | 425                    |

\*17.00 in horizontal configuration  
 \*\*21.00 in horizontal configuration



[www.rootsblower.com](http://www.rootsblower.com) Visit "Contact Us" page for your nearest location  
**Houston, Texas Headquarters** • U.S. Toll Free Phone: 1-877-363-ROOT(S) (7668) • Direct Phone: 832-590-2600  
**Connersville, Indiana Operations** • U.S. Toll Free Phone: 1-877-442-7910 • Direct Phone: 765-827-9285  
**United Kingdom Operations** • Phone: +44 (0) 1484 422 222  
**USA/Canada Sales** • Phone: 773-444-3360  
**Houston, Texas Factory Service** • Phone: 713-896-4810  
**Mexico City Sales and Factory Service** • Phone: +52 55 5889 5811  
**Dubai Sales and Factory Service** • Phone: +971 4-8830831  
**Malaysia Sales** • Phone: +60 3 2163 0480  
**China Sales** • Phone: +86 10 8486 2440  
**Shanghai Factory Service** • Phone: +86 21 5858 7638

S-27S03 rev.0807