

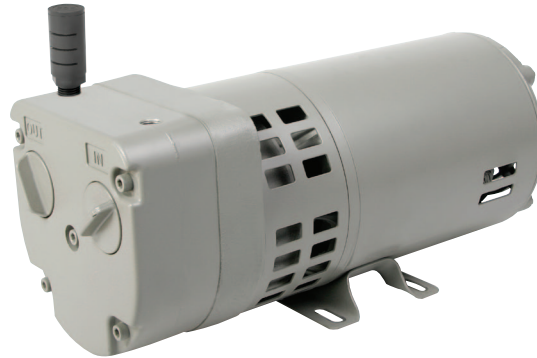
ROTARY VANE



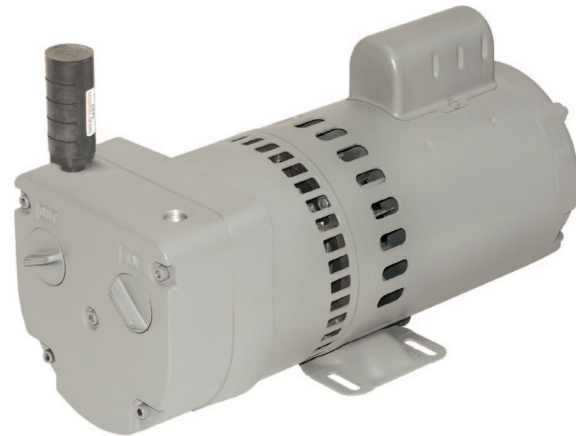
QR SERIES

MODELS

QR-0030 (291305)
QR-0050 (291306)
QR-0080 (291303)
QR-0080 (291309)
QR-0100 (291304)
QR-0100 (291310)



QR-0030
QR-0050



QR-0080
QR-0100

FEATURES

- Quiet design
- Oil-less, non-lubricated pump components
- Permanently lubricated-for-life motor ball bearings
- Built-in inlet & exhaust filters
- External exhaust muffler
- UL & CSA recognition
- Die cast aluminum sound chamber
- Low air flow pulsations
- World Voltage Motors

Consult factory for custom applications

Thomas Division is an ISO 9001 registered company

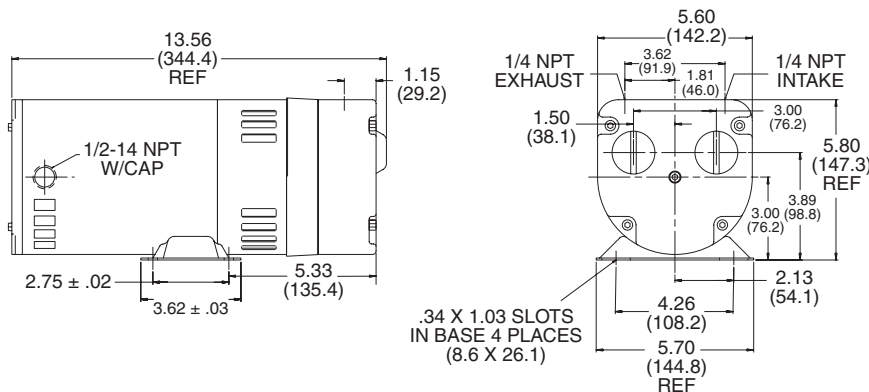
THOMAS
A Gardner Denver Product

QR Series Performance Data

MODEL NUMBER		QR-0030		QR-0050		QR-0080		QR-0100	
MANUFACTURING CODE		291305		291306		291303		291304	
HEAD CONFIGURATION		Pressure/Vacuum		Pressure/Vacuum		Pressure/Vacuum		Pressure/Vacuum	
PRESSURE		Flow @ 115/220v		Flow @ 115/220v		Flow @ 115/220v		Flow @ 115/220v	
CFM @ PSI	LPM @ bar								
PSI	bar	CFM	LPM	CFM	LPM	CFM	LPM	CFM	LPM
0	0	3.20 / 2.70	90.6 / 76.4	4.60 / 4.00	130.2 / 113.2	8.00 / 6.70	226.5 / 189.7	10.00 / 8.30	283.1 / 235.0
5	.5	2.70 / 2.30	70.0 / 58.7	4.10 / 3.50	109.7 / 92.7	7.35 / 6.20	201.1 / 168.5	9.40 / 7.80	258.5 / 214.4
10	1.5	2.20 / 1.80	49.5 / 40.7	3.60 / 3.00	86.6 / 69.6	6.80 / 5.65	177.2 / 148.5	8.80 / 7.30	233.8 / 193.9
15		1.70 / 1.40		3.00 / 2.40		6.20 / 5.20			
MAX. CONTINUOUS PRESSURE		10 PSI	.7 bar	10 PSI	.7 bar	10 PSI	.7 bar	10 PSI	.7 bar
MAX. INTERMITTENT PRESSURE		15 PSI	1.0 bar	15 PSI	1.0 bar	15 PSI	1.0 bar	15 PSI	1.0 bar
VACUUM		Flow @ 115/220v		Flow @ 115/220v		Flow @ 115/220v		Flow @ 115/220v	
CFM @ IN. hg	LPM @ mbar (gauge)								
IN. hg	mbar (gauge)	CFM	LPM	CFM	LPM	CFM	LPM	CFM	LPM
0	0	3.20 / 2.70	90.6 / 76.4	4.60 / 4.00	130.2 / 113.2	8.00 / 6.70	226.5 / 189.7	10.00 / 8.30	283.1 / 235.0
5	-100	2.50 / 2.20	78.9 / 68.0	3.80 / 3.30	116.8 / 101.5	6.40 / 5.30	119.7 / 166.3	8.10 / 6.60	251.3 / 206.5
10	-200	1.90 / 1.60	67.7 / 59.2	2.90 / 2.50	102.9 / 89.3	4.80 / 4.00	173.0 / 143.4	6.20 / 5.00	219.6 / 178.6
15	-400	1.30 / 1.10	47.6 / 40.1	2.00 / 1.70	72.8 / 62.5	3.40 / 2.80	121.5 / 100.9	4.40 / 3.40	157.0 / 125.1
20	-600	.60 / .50	26.0 / 21.9	1.20 / .90	44.3 / 35.8	2.00 / 1.40	74.7 / 57.7	2.50 / 1.90	95.3 / 73.1
25	-800			.30 / .10	17.5 / 9.0	.40 / .10	23.7 / 12.9	.80 / .35	35.9 / 21.9
MAX. VACUUM		25" hg	-836 mbar	26" hg	-869 mbar	26" hg	-869 mbar	26" hg	-869 mbar
MAX. AMBIENT AIR TEMP.		95° F	35°C	95° F	35°C	95° F	35°C	95° F	35°C
MIN. AMBIENT START TEMP.		32° F	0°C	32° F	0°C	32° F	0°C	32° F	0°C
MAX. RESTART PRESSURE									
MAX. RESTART VACUUM									
MOTOR VOLTAGE/FREQUENCY		100-115/200-240/60/50/1		100-115/200-240/60/50/1		100-115/200-240/60/50/1		100-115/200-240/60/50/1	
MOTOR TYPE		Split Phase		Split Phase		Capacitor Start		Capacitor Start	
CURRENT AT RATED LOAD (AMPS)		5.6 / 2.7		5.6 / 2.7		10.4 / 5.5		10.4 / 5.5	
POWER AT RATED LOAD (WATTS)		300 / 250		300 / 250		790 / 640		900 / 760	
STARTING CURRENT (LOCKED ROTOR, AMPS)		26.0 / 13.0		26.0 / 13.0		37.0 / 17.0		37.0 / 17.0	
FRAME SIZE									
MIN. FULL LOAD SPEED (RPM)		1725 / 1425		1725 / 1425		1725 / 1425		1725 / 1425	
THERMAL PROTECTOR		Yes		Yes		Yes		Yes	
NET WEIGHT		33 lbs.	15 kg	33 lbs.	15 kg	54 lbs.	24.5 kg	54 lbs.	24.5 kg

QR-0030 & QR-0050

291305, 291306



QR SERIES

THOMAS
A Gardner Denver Product

QR Series Performance Data

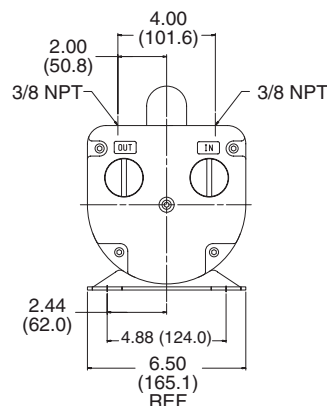
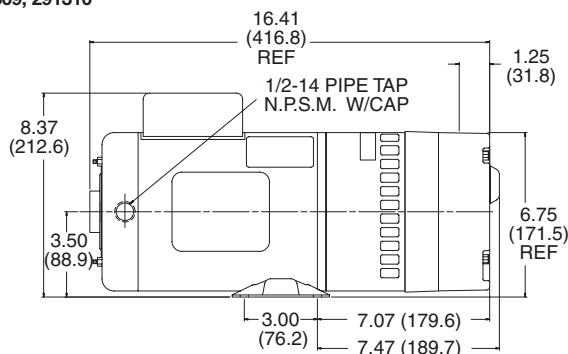
MODEL NUMBER		QR-0080		QR-0100	
MANUFACTURING CODE		291309		291310	
HEAD CONFIGURATION		Pressure/Vacuum		Pressure/Vacuum	
PRESSURE		Flow @ 230v		Flow @ 230v	
CFM @ PSI	LPM @ bar				
PSI	bar	CFM	LPM	CFM	LPM
0	0	8.00	226.5	10.0	283.1
5	.5	7.35	201.1	9.4	258.5
10	1.5	6.80	177.2	8.8	233.8
15		6.20			
MAX. CONTINUOUS PRESSURE		10 PSI	.7 bar	10 PSI	.7 bar
MAX. INTERMITTENT PRESSURE		15 PSI	1.0 bar	15 PSI	1.0 bar
VACUUM		Flow @ 230v		Flow @ 230v	
CFM @ IN. hg	LPM @ mbar (gauge)				
IN. hg	mbar (gauge)	CFM	LPM	CFM	LPM
0	0	8.0	226.5	10.0	283.1
5	-100	6.4	199.7	8.1	251.3
10	-200	4.8	173.0	6.2	219.6
15	-400	3.4	121.5	4.4	157.0
20	-600	2.0	74.7	2.5	95.3
25	-800	0.4	23.7	0.8	35.9
MAX. VACUUM		25" hg	-836 mbar	25" hg	-836 mbar
MAX. AMBIENT AIR TEMP.		95° F	35°C	95° F	35°C
MIN. AMBIENT START TEMP.		32° F	0°C	32° F	0°C
MAX. RESTART PRESSURE					
MAX. RESTART VACUUM					
MOTOR VOLTAGE/FREQUENCY		200-240/460/60/3 200-220/380-415/50/3		200-240/460/60/3 200-220/380-415/50/3	
MOTOR TYPE		Polyphase		Polyphase	
CURRENT AT RATED LOAD (AMPS)		2.8 / 1.5		2.8 / 1.5	
POWER AT RATED LOAD (WATTS)		740 / 810		740 / 810	
STARTING CURRENT (LOCKED ROTOR, AMPS)		18.0 / 9.0		18.0 / 9.0	
FRAME SIZE					
MIN. FULL LOAD SPEED (RPM)		1725		1725	
THERMAL PROTECTOR		Yes		Yes	
NET WEIGHT		56 lbs.	25 kg	56 lbs.	25 kg

The information presented in this material is based on technical data and test results of nominal units. It is believed to be accurate and reliable and is offered as an aid to help in the selection of Thomas products. It is the responsibility of the user to determine the suitability of the product for his intended use and the user assumes all risk and liability whatsoever in connection therewith. Thomas Industries does not warrant, guarantee or assume any obligation or liability in connection with this information.

NOTE: Models pictured are representative of the series and do not represent a specific model number. Consult factory for detailed physical description.

QR-0080 & QR-0100

291303, 291304
291309, 291310



THOMAS
A Gardner Denver Product

Thomas Division
1419 Illinois Ave
Sheboygan, WI 53081 USA
Phone: (920) 457-4891
Fax: (920) 451-4276
www.gd-thomas.com