

## ROTARY VANE



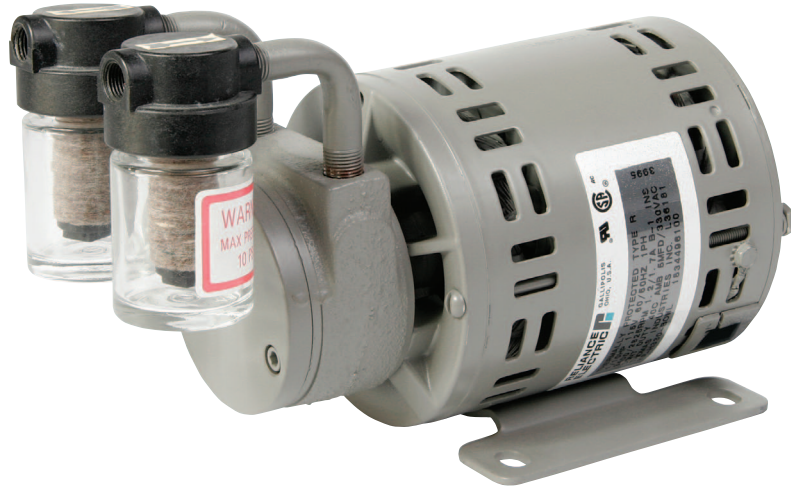
# SR SERIES

## MODELS

SR-0015-VP (291275)

SR-0015-VP (291277)

SR-0015-VP (291293)



## FEATURES

- Oil-less operation
- Cast iron pump housing
- Self-lubricating, self-adjusting vanes
- Permanently lubricated and sealed motor bearing
- Long, service-free life
- Fifty-micron inlet and outlet filter assemblies

Consult factory for custom applications

Thomas Division is an ISO 9001 registered company

**THOMAS**  
A Gardner Denver Product

# SR Series Performance Data

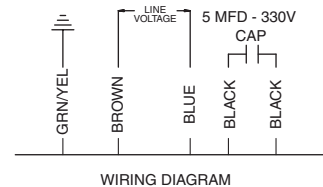
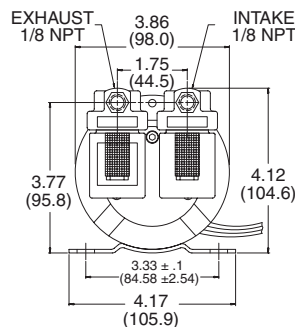
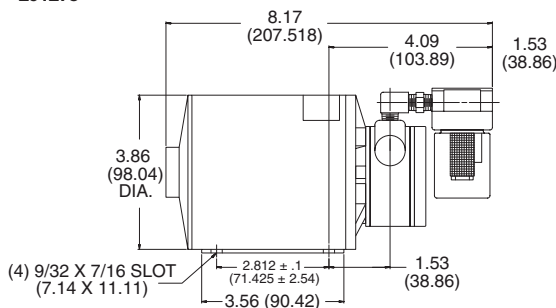
MODEL NUMBER		SR-0015-VP		SR-0015-VP		SR-0015-VP	
MANUFACTURING CODE		291275		291277		291293	
HEAD CONFIGURATION		Pressure/Vacuum		Pressure/Vacuum		Pressure/Vacuum	
PRESSURE		Flow @ 115/60		Flow @ 115/60		Flow @ 240/50	
CFM @ PSI	LPM @ bar						
PSI	bar	CFM	LPM	CFM	LPM	CFM	LPM
0	0	1.50	42.5	1.50	42.5	1.20	33.9
5	.5	1.20	30.8	1.20	30.8	1.00	24.3
10	1.5	1.00	20.5	1.00	20.5	0.80	16.1
15							
<b>MAX. CONTINUOUS PRESSURE</b>		10 PSI	.7 bar	10 PSI	.7 bar	10 PSI	.7 bar
<b>MAX. INTERMITTENT PRESSURE</b>		10 PSI	.7 bar	10 PSI	.7 bar	10 PSI	.7 bar
VACUUM		Flow @ 115/60		Flow @ 115/60		Flow @ 240/50	
CFM @ IN. hg	LPM @ mbar (gauge)						
IN. hg	mbar (gauge)	CFM	LPM	CFM	LPM	CFM	LPM
0	0	1.50	42.5	1.50	42.5	1.20	33.9
5	-100	1.10	35.8	1.10	35.8	0.90	29.1
10	-200	0.80	29.6	0.80	29.6	0.60	24.4
15	-400	0.50	19.6	0.50	19.6	0.40	15.8
20	-600	0.20	9.5	0.20	9.5	0.20	7.9
25	-800						
<b>MAX. VACUUM</b>		24" hg	-813 mbar	24" hg	-813 mbar	24" hg	-813 mbar
<b>MAX. AMBIENT AIR TEMP.</b>		95° F	35°C	95° F	35°C	95° F	35°C
<b>MIN. AMBIENT START TEMP.</b>		35° F	2°C	35° F	2°C	35° F	2°C
<b>MAX. RESTART PRESSURE</b>							
<b>MAX. RESTART VACUUM</b>							
<b>MOTOR VOLTAGE/FREQUENCY</b>		115/60/50/1		115/60/50/1		220/240/60/50/1	
<b>MOTOR TYPE</b>		Permanent Split Cap.		Split Phase		Permanent Split Cap.	
<b>CURRENT AT RATED LOAD (AMPS)</b>		1.6		1.6		.55	
<b>POWER AT RATED LOAD (WATTS)</b>		120		120		120	
<b>STARTING CURRENT (LOCKED ROTOR, AMPS)</b>		5.0		13.5		2.2	
<b>FRAME SIZE</b>							
<b>MIN. FULL LOAD SPEED (RPM)</b>		3500		3500		2820	
<b>THERMAL PROTECTOR</b>		Yes		Yes		Yes	
<b>NET WEIGHT</b>		8 lbs.	3.6 kg	8.5 lbs.	3.9 kg	8 lbs.	3.6 kg

The information presented in this material is based on technical data and test results of nominal units. It is believed to be accurate and reliable and is offered as an aid to help in the selection of Thomas products. It is the responsibility of the user to determine the suitability of the product for his intended use and the user assumes all risk and liability whatsoever in connection therewith. Thomas Industries does not warrant, guarantee or assume any obligation or liability in connection with this information.

**NOTE:** Models pictured are representative of the series and do not represent a specific model number. Consult factory for detailed physical description.

## SR-0015-VP

291275



**THOMAS**  
A Gardner Denver Product

Thomas Division  
1419 Illinois Ave  
Sheboygan, WI 53081 USA  
Phone: (920) 457-4891  
Fax: (920) 451-4276  
www.gd-thomas.com

Printed in U.S.A. Form No. 850-3332 11/11  
©2007 Gardner Denver Thomas, Inc. All rights reserved.